

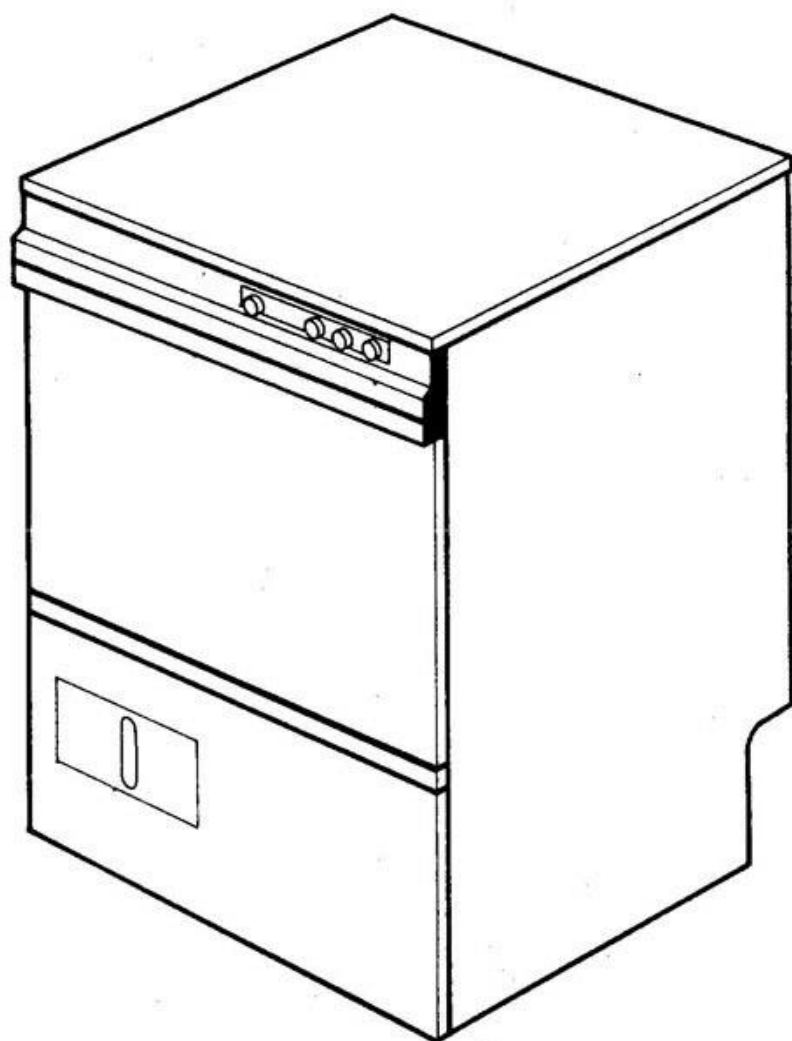
# winterhalter

---

## Spare Parts GS 8

Edited 4/90  
Revised 02/08

Part No. 89001372



## Summary

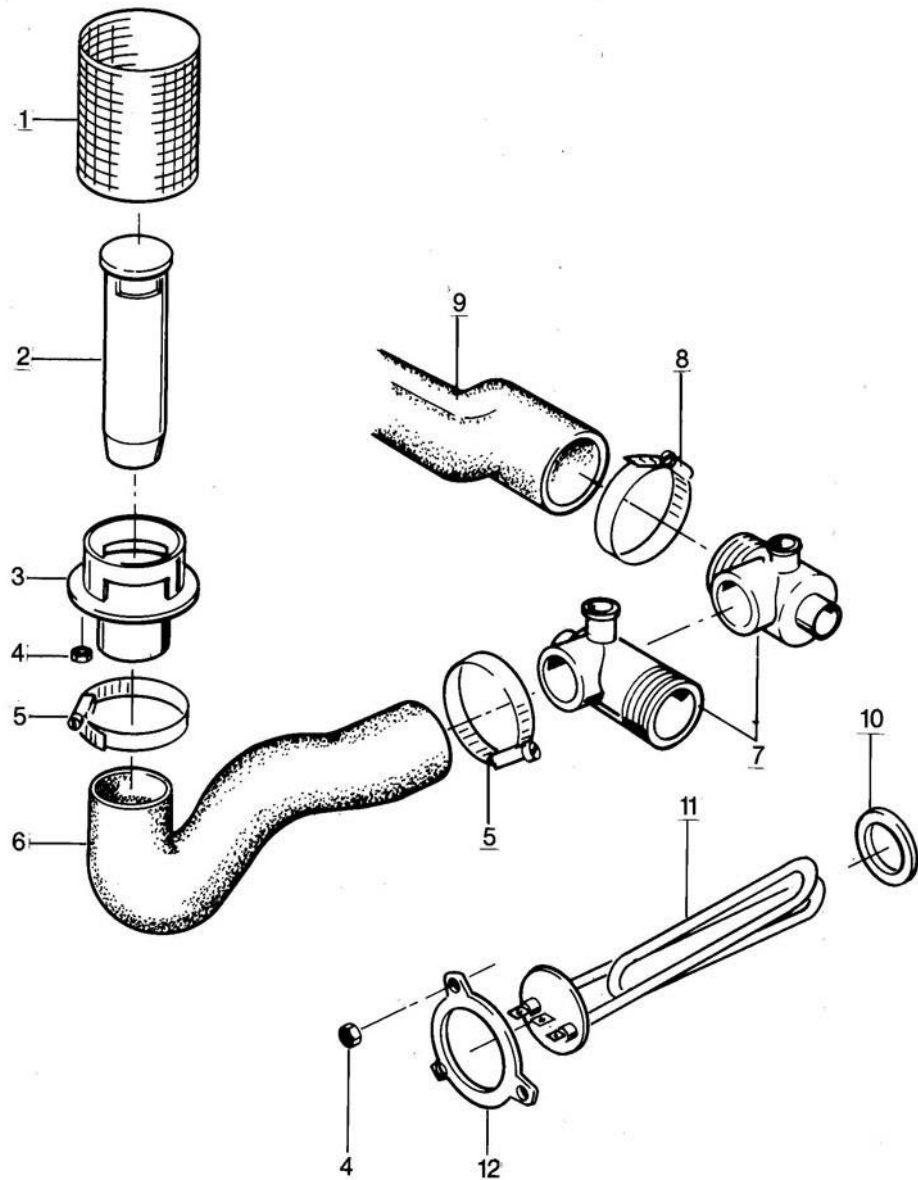
Water drain and tank heating	Page 1 and 2
Water feed and water inlet	Page 3 and 4
Wash system I	Page 5 and 6
Wash system II	Page 7 and 8
Rinsing I	Page 9 and 10
Rinsing II	Page 11 and 12
Door	Page 13 and 14
Sheathing	Page 15 and 16
Electrical parts I	Page 17 and 18
Electrical parts II	Page 19 and 20

Racks and accessories see separate list.

Parts that have the note " Part made to order only!" are not in stock. This parts are made specially for your order and have a delivery time. They are not returnable.

### GS 8

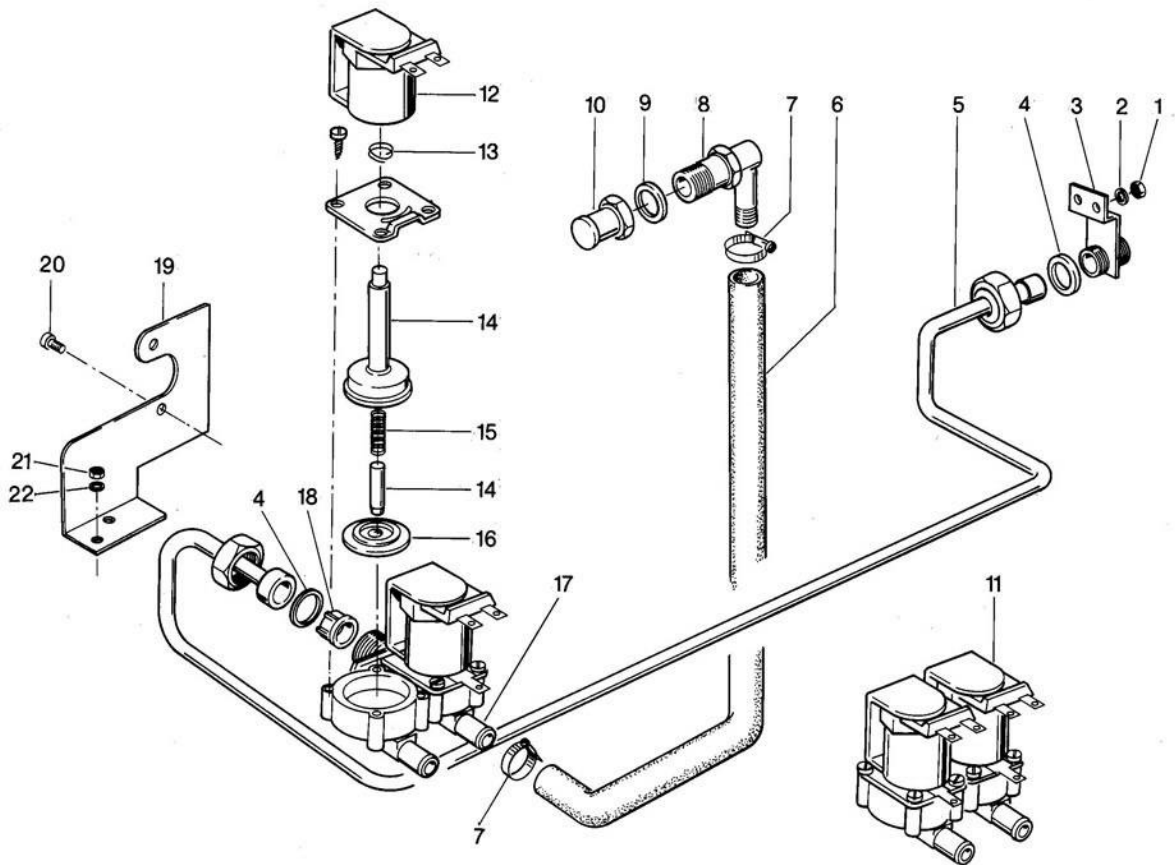
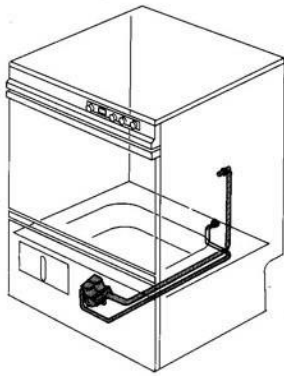
**Wasserablauf und Tankheizung**  
Water drain and tank heating  
Ecoulement d'eau et chauffage de la cuve





### GS 8

**Wassenzulauf und Wassereinlauf**  
Water feed and water inlet  
Alimentation d'eau et arrivée de l'eau

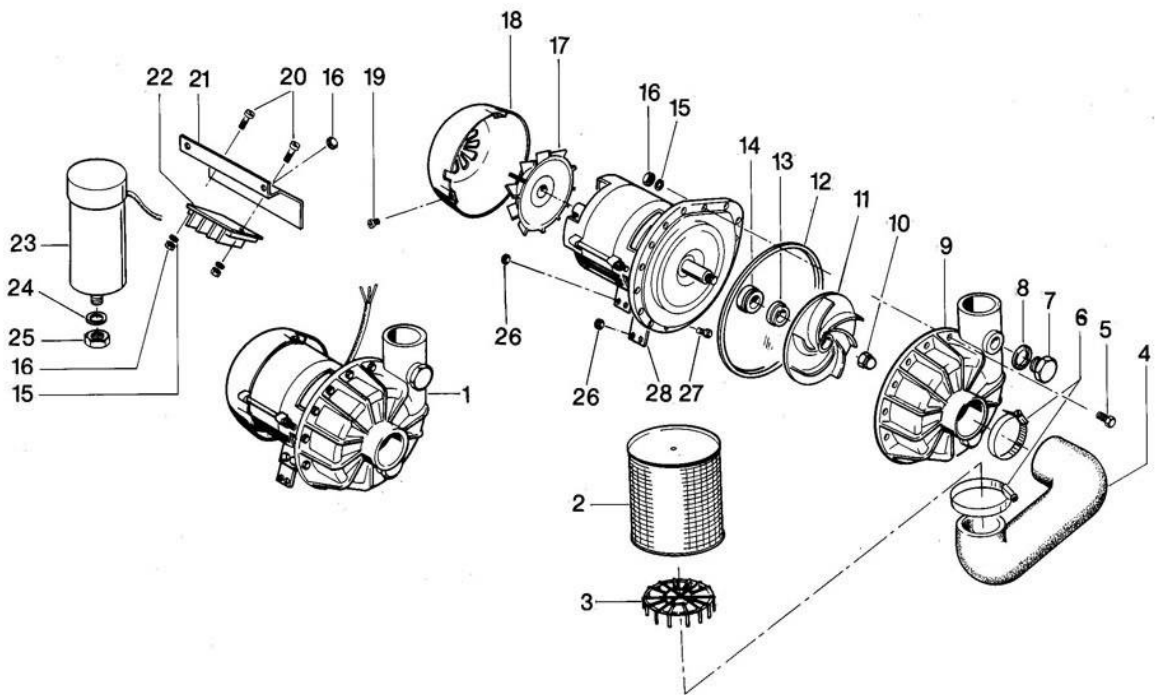
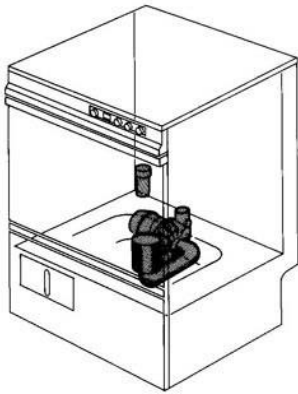


**GS 8**  
**Water feed and water inlet**

Pos.	Designation	Part no.	Notes
1	Hexagon nut M 5	21 01 303	replaced by 55 28 231
2	Washer ø 5,3	22 02 203	
3	Connection plate		
4	Seal ø 19,5 x ø 24 x 1,5	27 09 010	
5	Inlet pipe large cpl.	55 28 231	
6	Tank inlet hose	40 03 047	
7	Hose clamp 14-22 ø	28 02 301	
8	Connection 1/2" BSP x ø 14,5	55 31 007	Consists of pos. 8,9,10
9	Seal ø 28 x ø 21 x 2,0	27 09 011	Old construction gasket
n.p.	o-ring 20 x 3	27 07 031	New construction
10	Inlet 1/2" BSP	55 31 007	Consists of pos. 8,9,10
n.p.	Set tank inlet	61005339	New construction
11	Double solenoid valve	31 06 182	Replaced by pos. 11
12	Coil 220-240 V / 50-60 Hz		
13	Spring for solenoid valve		
14	Plunger with bush		
15	Spring		
16	Diaphragm with distance disk		
17	Plastic bottom part		
18	Dirt strainer f. solenoid valve	31 06 186	
19	Solenoid valve support	55 02 013	
20	Lens head cylinder screw M 4 x 8	20 10 210	
21	Hexagon nut M 5	21 01 303	
22	Spring ring B 5	23 03 302	

### GS 8

### Waschsystem I Wash system I Système de lavage I

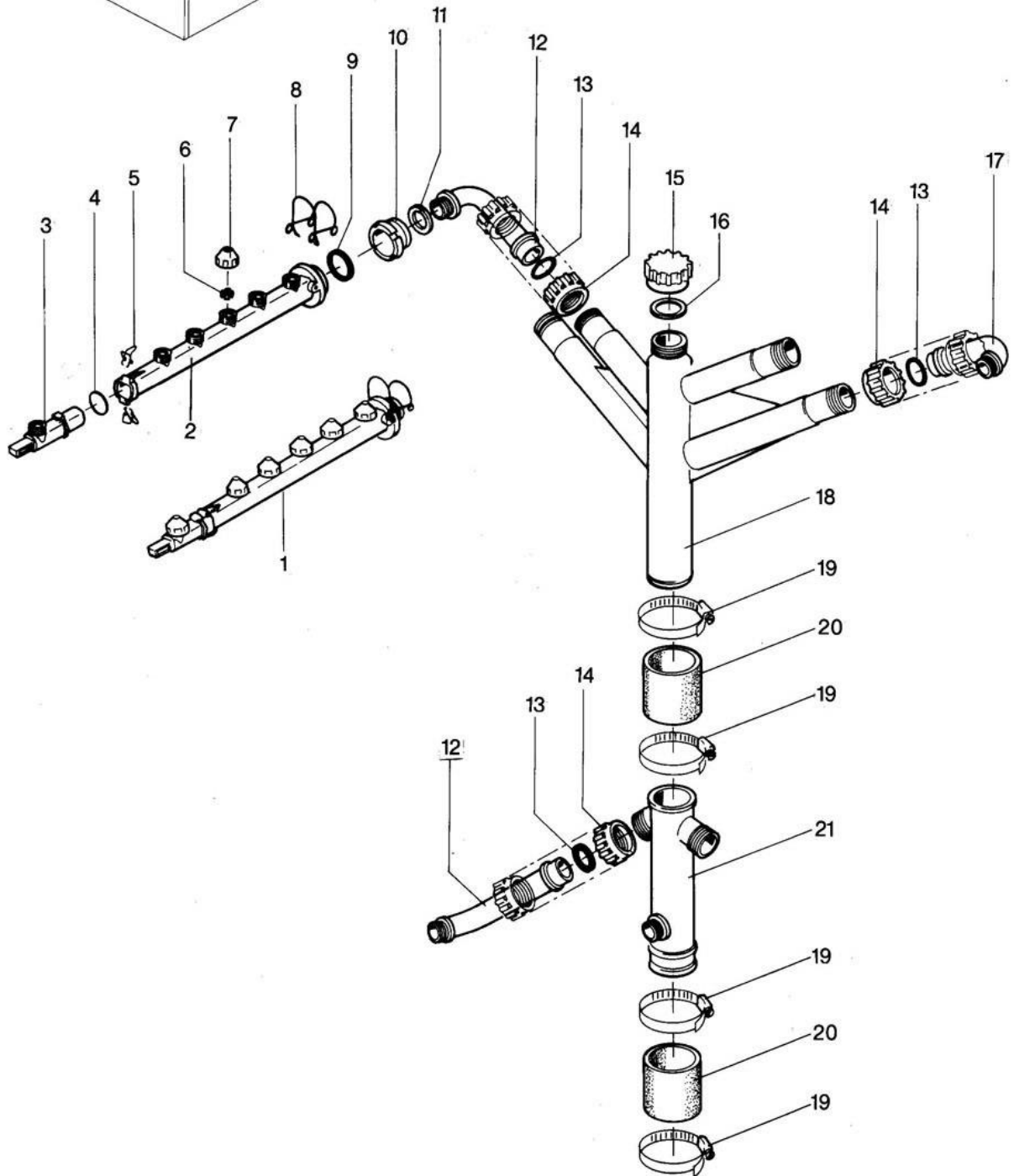
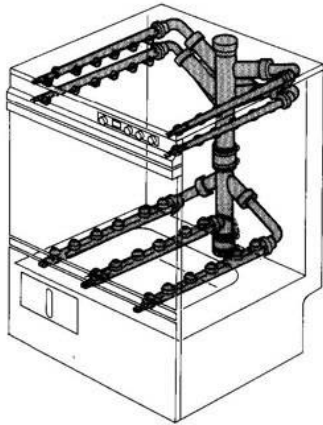






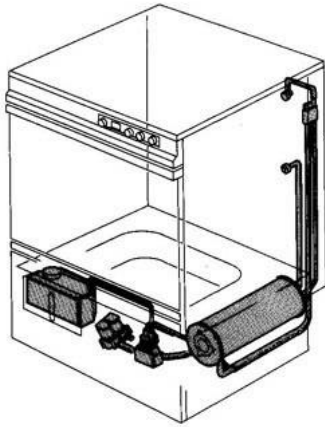
### GS 8

### Waschsystem II Wash system II Système de lavage II



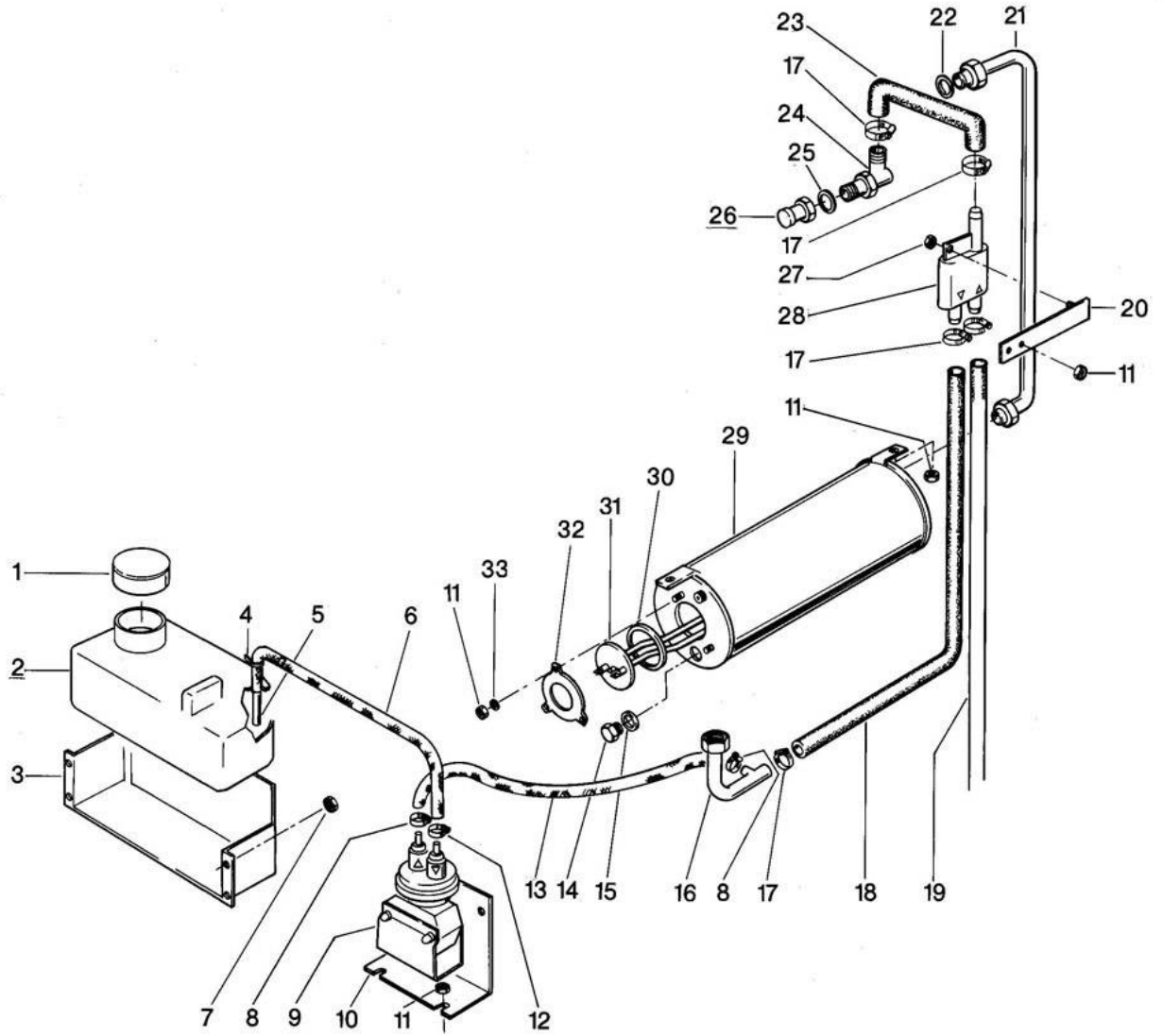
## GS 8 Wash system II

Pos.	Designation	Part no.	Notes
1	Wash arm cpl.	55 07 057	with jets and end piece
2	Wash arm		Only completely available, pos. 1
3	End piece 90°	35 01 192	
4	O-ring ø 18 x 1,5	27 07 039	
5	End piece lock	28 04 041	
6	Jet swirl	60002465	Consists of pos. 6,7
7	Jet cap	60002465	Consists of pos. 6,7
8	Spring lock	28 04 042	
9	O-ring ø 27 x 4	27 07 016	
10	Ring nut	35 01 006	
11	Seal ø 33 x ø 26 x 2,5	27 01 003	
12	Distributor elbow long	35 01 149	
13	O-ring ø 24 x 3	27 07 066	
14	Coupling nut	35 01 004	
15	Cap	35 01 158	
16	Seal ø 39 x ø 30 x 2,0	27 02 001	
17	Distributor elbow short	35 01 150	
18	Wash distributor top part	35 01 154	
19	Hose clamp 47-67 ø	28 02 115	
20	Pump hose ø 50 x 4,5 x 70 lg.	40 02 012	Per metre
21	Wash distributor bottom part	35 01 018	



## GS 8

Nachspülung I  
Rinsing I  
Rinçage I

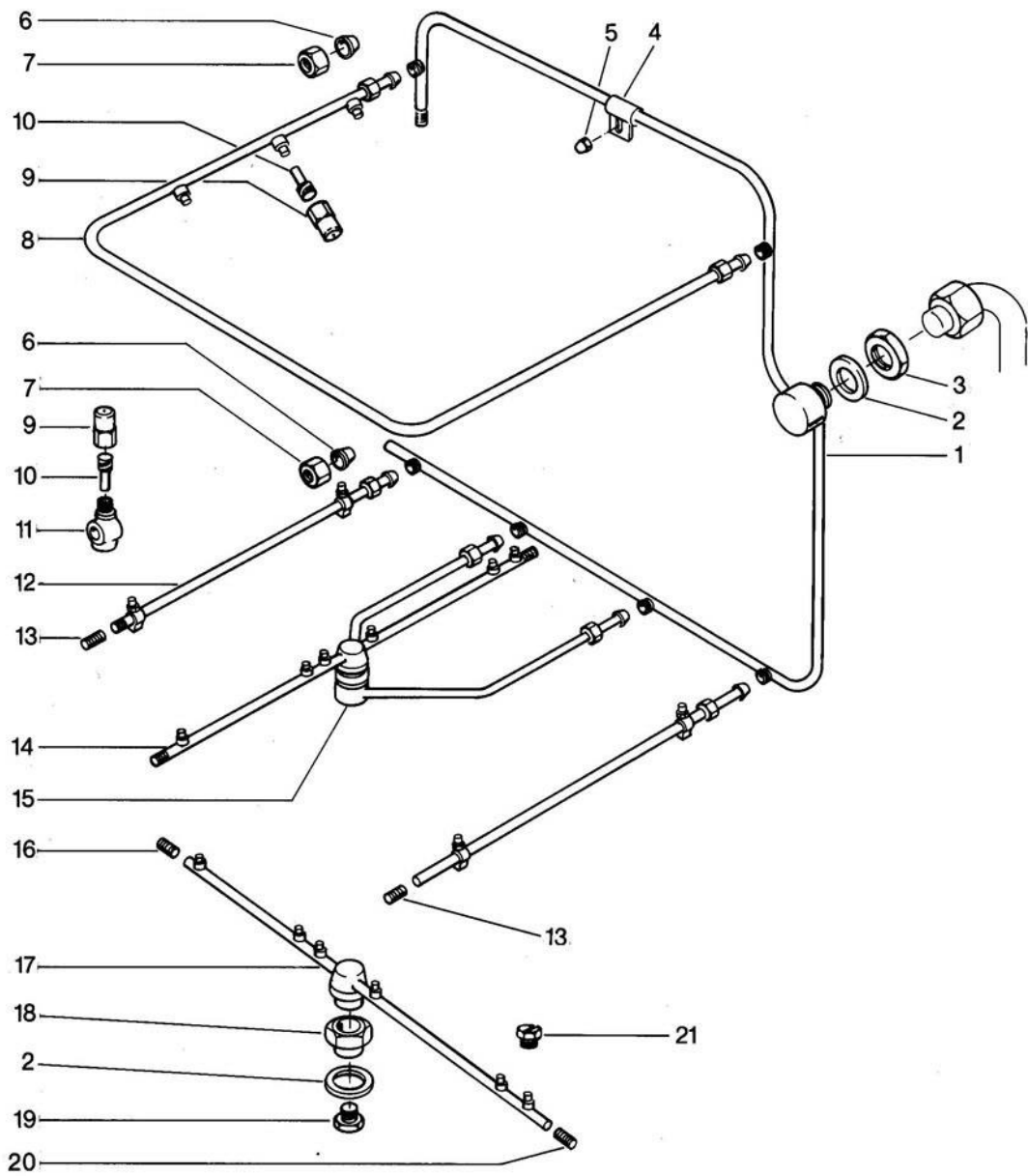
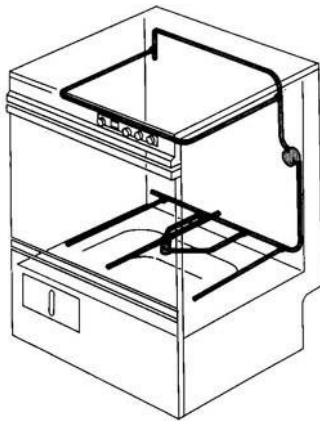


## GS 8 Rinsing I

Pos.	Designation	Part no.	Notes
1	Locking cap	60002216	
2	Detergent container	35 02 022	
3	Container box	35 01 541	
4	Wire hose clip	28 02 348	
5	Suction pipe	55 25 063	
6	Hose $\varnothing$ 5 x $\varnothing$ 1,5 x 450	40 01 024	per metre
7	Hexagon nut M 4	21 05 300	self-securing
8	Wire hose clip	28 02 348	for 40 01 024
9	Dispenser ELT 20	55 28 278	
10	Dispenser support	60000314	
11	Hexagon nut M 5	21 01 303	
12	Wire hose clip	28 02 348	
13	Hose $\varnothing$ 5 x 1,5 x 335	40 01 024	per metre
14	Hexagon bolt M 10 x 16	20 01 352	
15	Seal $\varnothing$ 18 x $\varnothing$ 10 x 1,5	27 03 003	
16	Boiler elbow	55 09 055	Cutting ring 2907300 Union nut 2907201
17	Hose clamp 14-24 $\varnothing$	28 02 108	
18	Hose $\varnothing$ 13 x 3,5 x 1015	40 02 029	per metre
19	Hose $\varnothing$ 13 x 3,5 x 1215	40 02 029	per metre
20	Support cpl.	55 04 046	
21	Rinse connection cpl.	55 11 057	
22	Seal $\varnothing$ 24 x $\varnothing$ 19,5 x 1,5	27 09 010	
23	Shaped hose	40 03 053	
24	Connection 1/2" BSP x 14,5	55 31 007	Consists of pos. 24,25,26
25	Seal $\varnothing$ 28 x $\varnothing$ 21 x 2,0	27 09 011	
26	Inlet 1/2" BSP	55 31 007	Consists of pos. 24,25,26
27	Hexagon nut M 6	21 01 204	
28	Backflow preventer	35 01 193	
29	Boiler	55 12 033	
30	O-ring	27 07 069	
31	Heating element 2,2 kW 220 V	31 03 082	
n.p.	Heating element 2,2 kW 240 V	31 03 088	
32	Clamping disk	01 17 003	
33	Washer $\varnothing$ 5,3	22 02 203	

### GS 8

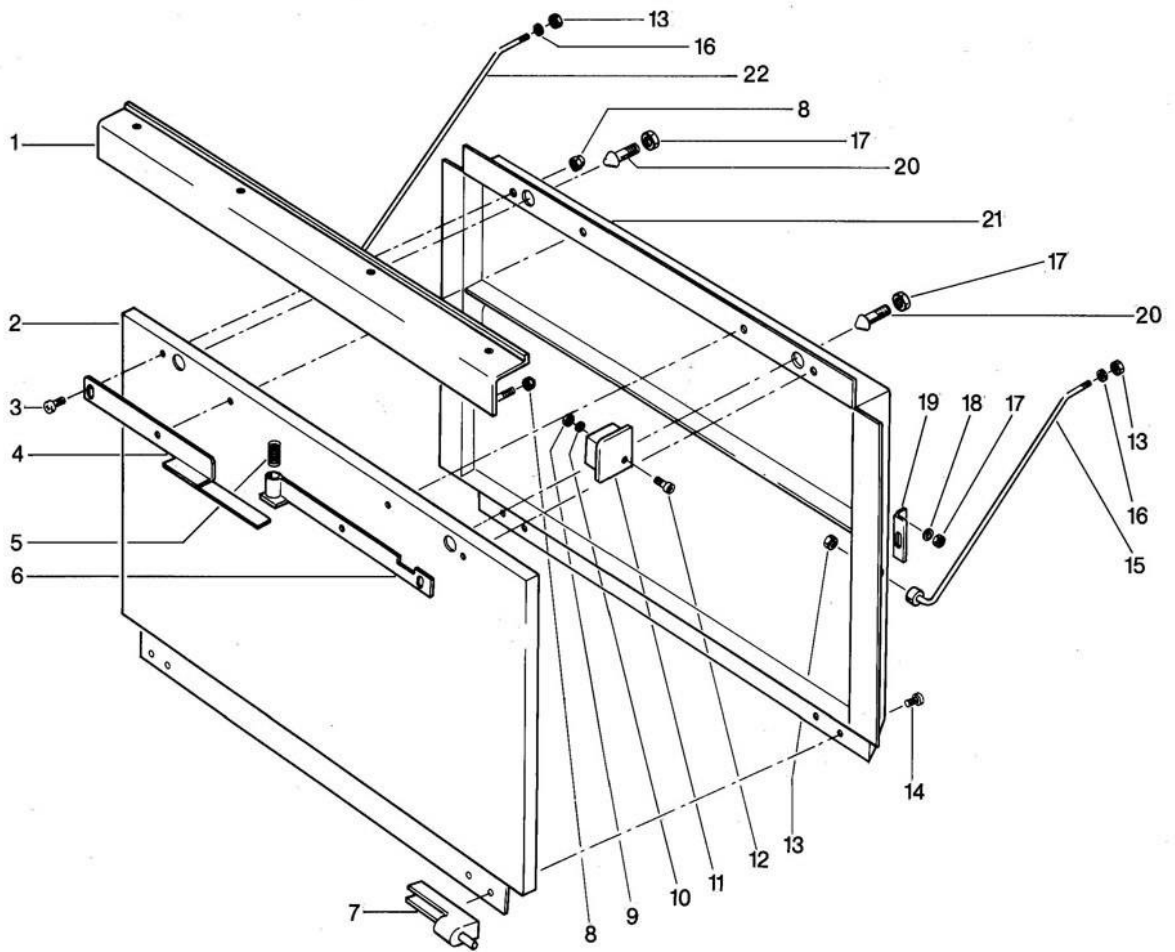
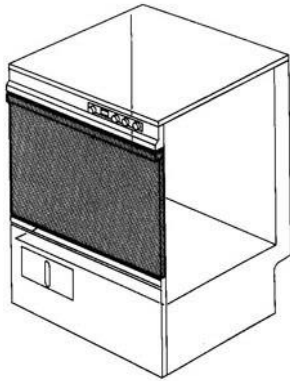
Nachspülung II  
Rinsing II  
Rinçage II





**GS 8**

**Türe**  
Door  
Porte



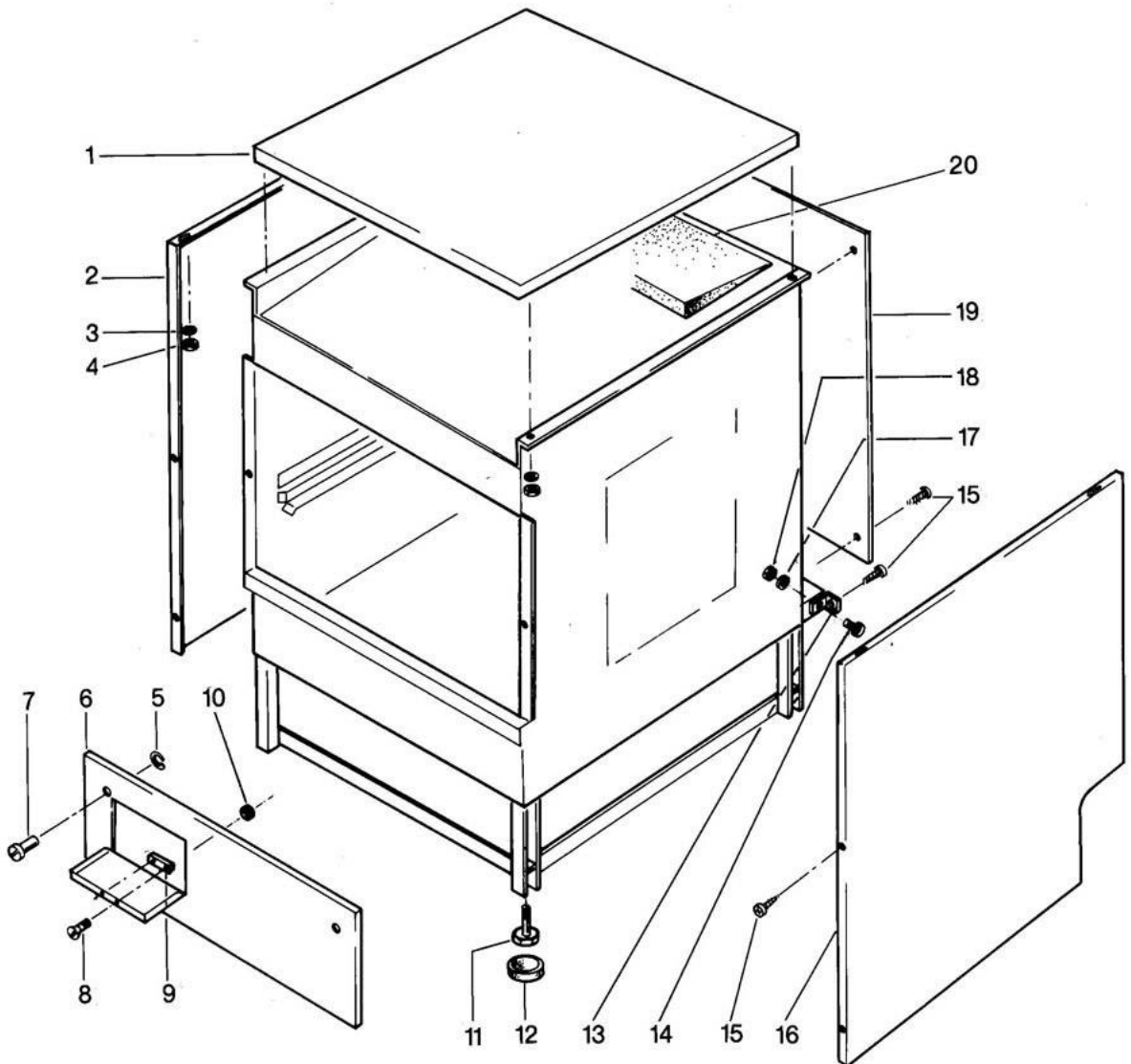
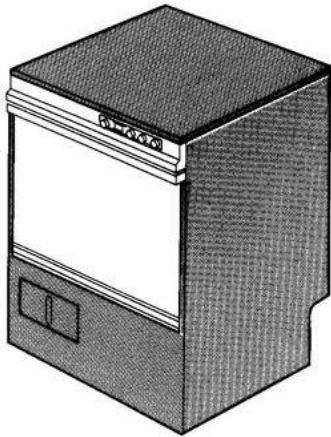
**GS 8**  
**Door**

Pos.	Designation	Part no.	Notes
1	Door handle	55 15 101	
2	Exterior door plate	55 15 098	
3	Screw for door lock M 4	20 19 308	
4	Locking angle left	55 15 100	
5	Pressure spring	28 04 009	
6	Locking angle right	55 15 099	
7	Door hinge	35 01 151	
8	Dome head nut M 4	21 10 302	
9	Hexagon nut M 3	21 01 201	
10	Washer for M 3	22 08 501	
11	Handle corner right	35 01 170	
n.p.	Handle corner left	35 01 171	
12	Lens head countersunk screw M 3 x 5	20 12 300	
13	Hexagon nut M 6	21 05 304	self-securing
14	Lens head countersunk screw M 4 x 12	20 12 314	
15	Door bar right	55 15 096	
16	Washer for M 6	22 08 504	
17	Hexagon nut M 5	21 01 303	
18	Washer ø 5,3	22 02 203	
19	Sliding piece	35 01 172	
20	Door bolt	20 19 303	
n.p.	Washer	22 02 314	from 6/89 onwards
n.p.	Pressure spring	28 04 013	for pos. 20
21	Door frame	55 15 095	
22	Door bar left	55 15 097	
n.p.	Door cpl.	55 15 094	
n.p.	Door with cavity	80000452	max. rack height 290 mm
n.p.	Silicone profile seal 560 mm lg.	62001618	per metre, as from 11/93
n.p.	Silicone glue	34 03 012	
n.p.	Inst. Steam protection	55 28 116	



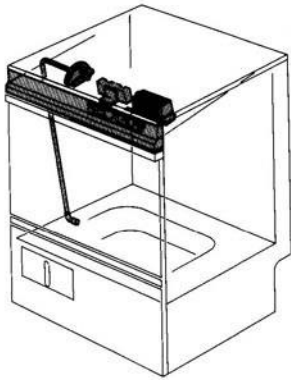
### GS 8

Verkleidung  
Sheathing  
Habillage



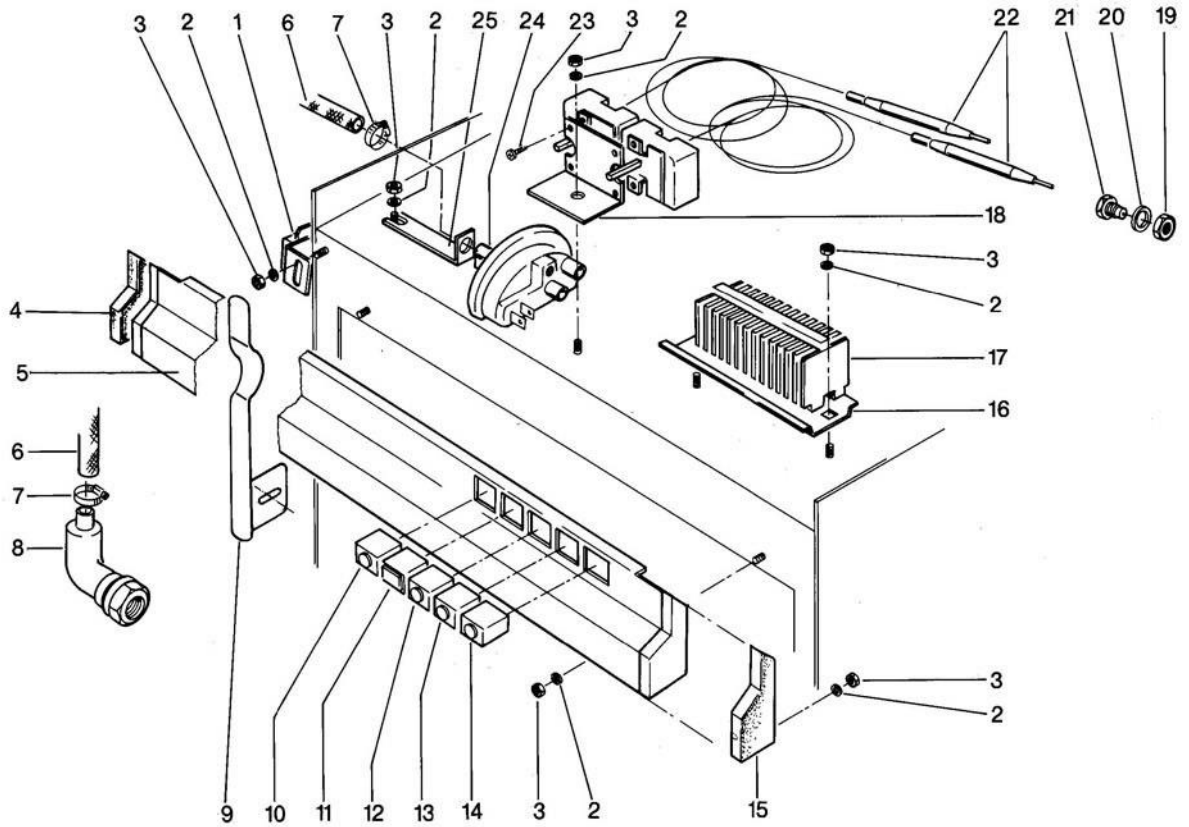
## GS 8 Sheathing

Pos.	Designation	Part no.	Notes
1	Cover plate	55 03 072	
2	Lateral sheathing left	55 03 070	
3	Washer $\varnothing$ 4,3	22 02 202	
4	Hexagon nut M 4	21 05 201	
5	Annular spring	23 12 300	
6	Front sheathing	55 03 069	
7	Threaded cap	28 14 331	
8	Countersunk screw M 3 x 16	20 08 205	
9	Magnetic spring catch	28 05 044	
10	Hexagon nut M 3	21 01 201	
11	Hexagon bolt M 10 x 60	20 01 360	
12	Protective cap	35 03 018	
13	Angle	55 02 019	
14	Lens head cylinder screw M 5 x 8	20 10 221	
15	Cylinder sheet-metal screw B 3,9 x 16	20 20 300	
16	Lateral sheathing right	55 03 071	
17	Washer $\varnothing$ 5,3	22 02 203	
18	Hexagon nut M 5	21 01 303	
19	Rear sheathing short, 665 mm	55 03 120	
20	Styropor wedge		No more available
n.p.	Rear sheathing long 800 mm	55 03 118	
n.p.	Housing cpl.		No more available
n.p.	Surface strainer	55 13 026	option
n.p.	Pump strainer	55 13 027	option
n.p.	Clamping rail at underfrain 8-pin	31 09 002	
n.p.	Plate "Clamp-plan"	28 03 110	



## GS 8

**Elektroteile I**  
Electrical parts I  
Matériel électrique I

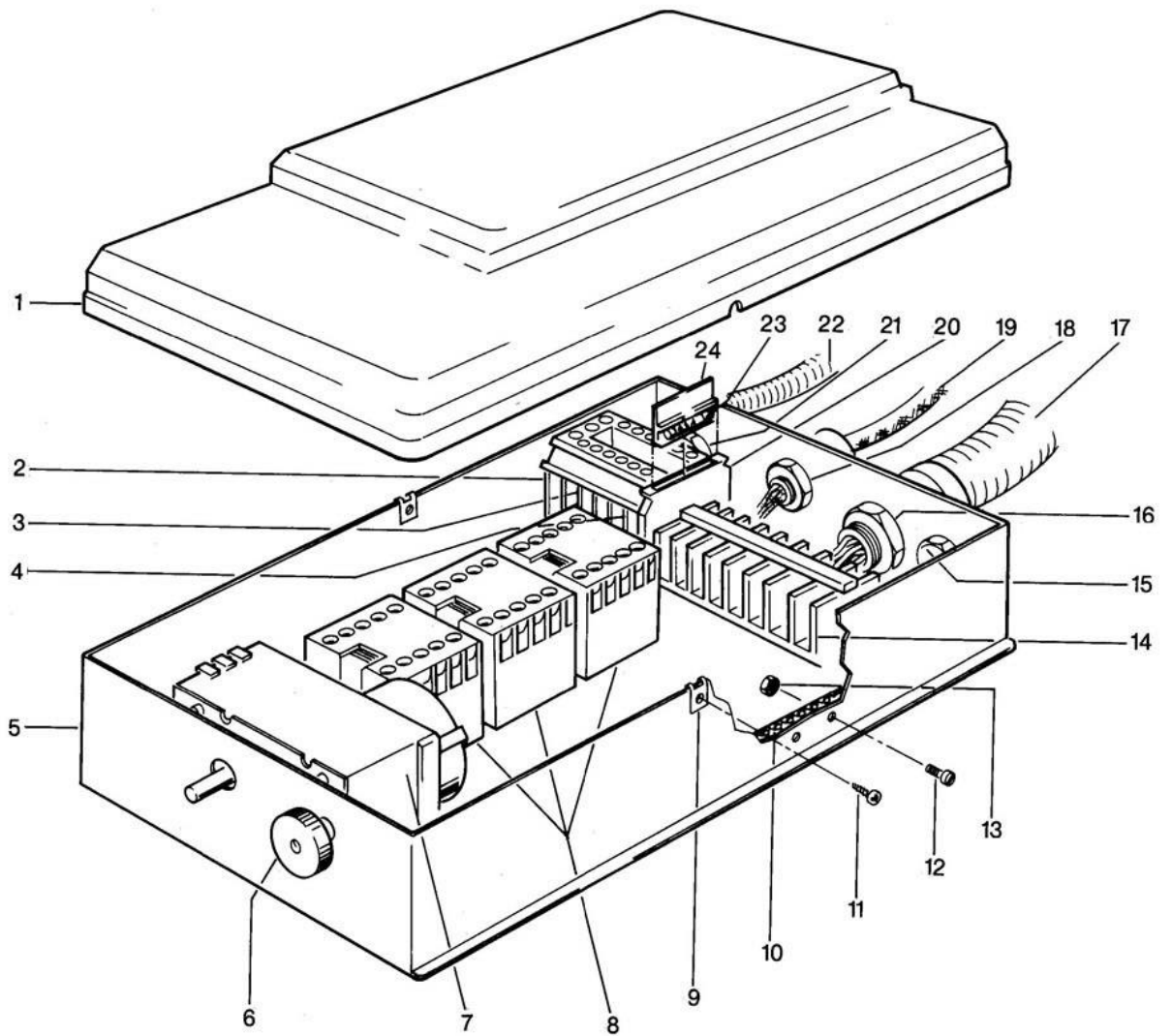
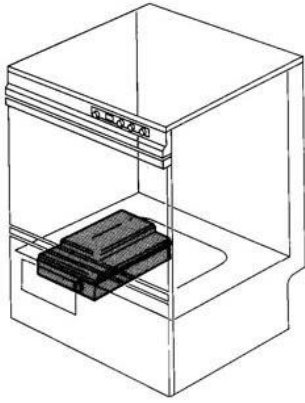


## GS 8 Electrical parts I

Pos.	Designation	Part no.	Notes
1	Limit switch cpl.	55 19 007	
2	Washer $\varnothing$ 4,3	22 02 202	
3	Hexagon nut M 4	21 01 202	
4	Screen corner left	35 01 167	
5	Screen cpl.	55 03 119	w. creen corners, without switches
6	Hose $\varnothing$ 5 x 3 x 1200 lg.	40 01 024	per metre
7	Wire hose clip	28 02 348	
8	Air chamber cpl.	55 04 030	
9	Switch spring	55 19 041	
10	Pressure switch green	31 24 185	ON-OFF
11	Lamp white 220 V	31 08 116	
12	Pressure switch orange	31 24 130	PROGRAMME
13	Pressure switch white	31 24 128	WASHING
14	Pressure switch white	31 24 129	RINSING
15	Screen corner right	35 01 166	
16	Rail	55 19 067	
17	Band terminal 13-fold	55 19 070	made of 31 09 025
18	Thermostat support	55 19 068	
19	Counter nut M 14 x 1	31 25 002	
20	Seal $\varnothing$ 14,2 $\varnothing$ 20 x 2,0	27 09 036	
21	Gland for thermostat	31 25 001	
22	Thermostat 1750 lg.	31 25 013	for tank and boiler
23	Pan head screw M 4 x 8	20 10 309	
24	Level switch orange 100/60	31 26 020	
25	Supporting angle for level switch	55 19 069	
	Symbol plate for screen GS8	No more av	2x 80002171
n.p.	Plate type strip GS 8	No more av	Substitution possible: 2x 80002171
n.p.	Wire assortment (control panel)	60001063	
n.p.	Wire assortment (limit switch)	31 23 063	
n.p.	Band terminal 4-fold	55 19 071	
n.p.	Flat panel (vapour exhaust)	81000048	option
	Gland screwing	3125012	

### GS 8

### Elektroteile II Electrical parts II Matériel électrique II



## GS 8 Electrical parts II

Pos.	Designation	Part no.	Notes
1	Relay box cover	60001664	
2	Universal clamp green-yellow	31 09 059	
3	Universal clamp blue	31 09 058	
4	Universal clamp grey	31 09 057	
5	Relay box	55 18 038	
6	Knurled nut 116	21 12 004	
7	Programme switch	31 05 106	5 min
8	Mini contactor	31 04 154	
9	Sheet-metal nut B 3,9	21 17 301	
10	Earth clamp	31 09 094	
11	Lens sheet-metal screw B 3,9 x 19	20 22 302	
12	Pan head screw M 4 x 12	20 10 312	
13	Hexagon nut M 4	21 01 202	
14	Band terminal 13-fold	55 19 070	made of 31 09 025
15	Blind plug PG 16	31 10 025	
n.p.	Hexagon nut zu PG 16	31 10 110	
16	Cable gland PG 21	31 10 070	
n.p.	Hexagon nut for PG 21	31 10 012	
17	Wiring loom	31 23 093	
18	Cable gland PG 11	31 10 044	
n.p.	Hexagon nut zu PG 11	31 10 045	
19	Supply cable	31 23 125	
20	Universal clamp UK-SI	31 09 063	
21	Cable gland PG 16	31 10 049	
22	Wiring loom control technics	31 23 065	
23	Fuse insert 6,3 Amp.	31 11 043	
24	Fuse plug	31 09 072	
n.p.	Anti-interference capacitor	31 13 071	